

For reference only. See data sheet for the detailed specifications.

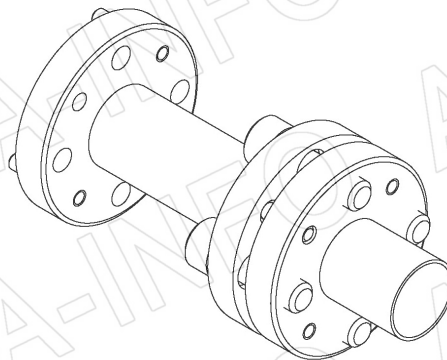
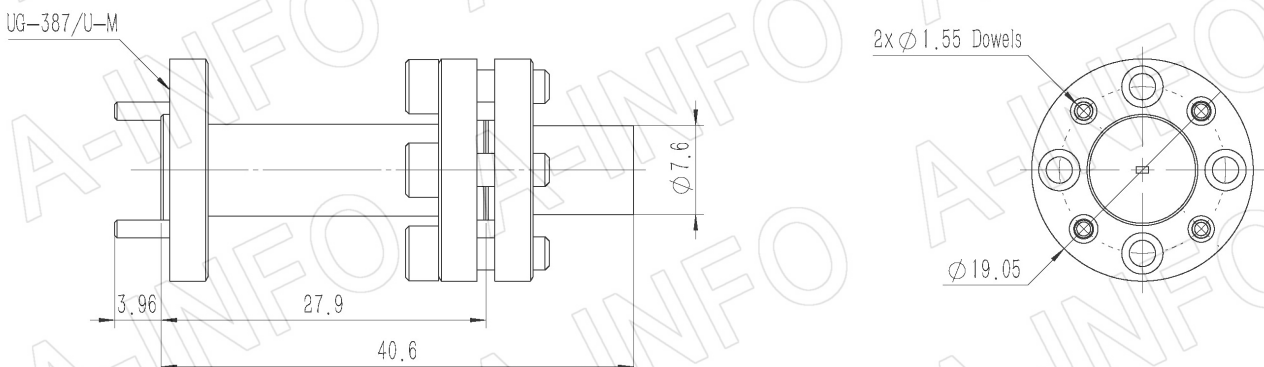
## Technical Specification



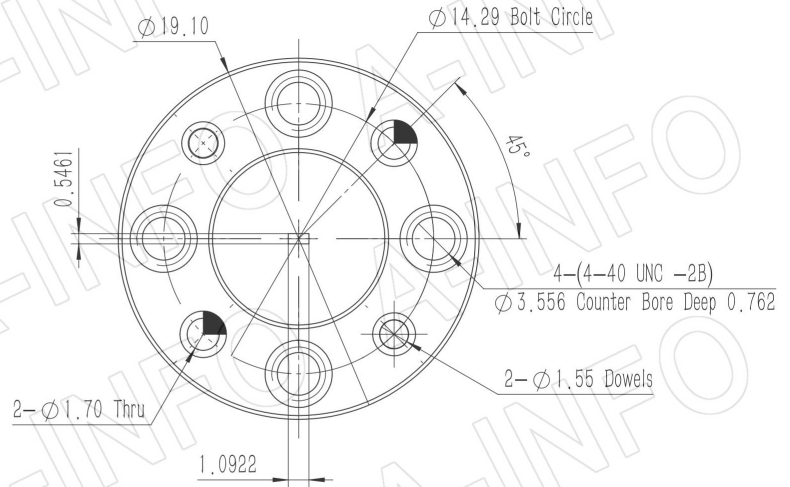
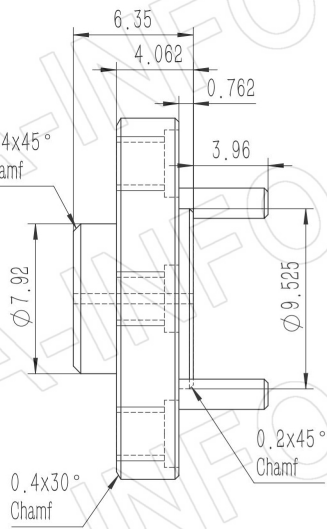
Frequency Range(GHz)	170.0 – 260.0
Waveguide	WR4
Gain(dBi)	20 Typ.
Polarization	Linear
3dB Beamwidth(deg)	E Plane: 13 Typ.
	H Plane: 15 Typ.
Cross Pol. Isolation(dB)	35 Typ.
VSWR	1.25:1 Max.
Output	UG-387/U-M
Material	Cu
Finish	Gold Plated
Size(mm)	19.05 x 19.05 x 40.6
Net Weight(Kg)	0.04 Around

## Outline Drawing (Size: mm)

UG-387/U-M Output (P/N: LB-CNH-4-20-A)



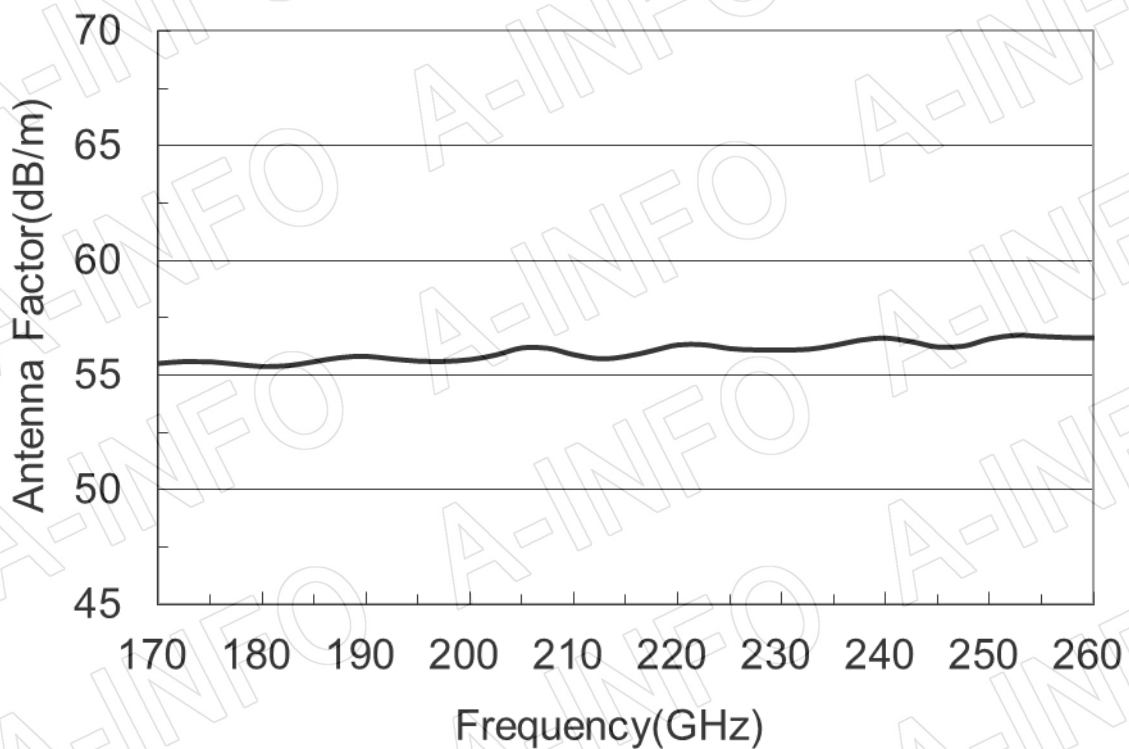
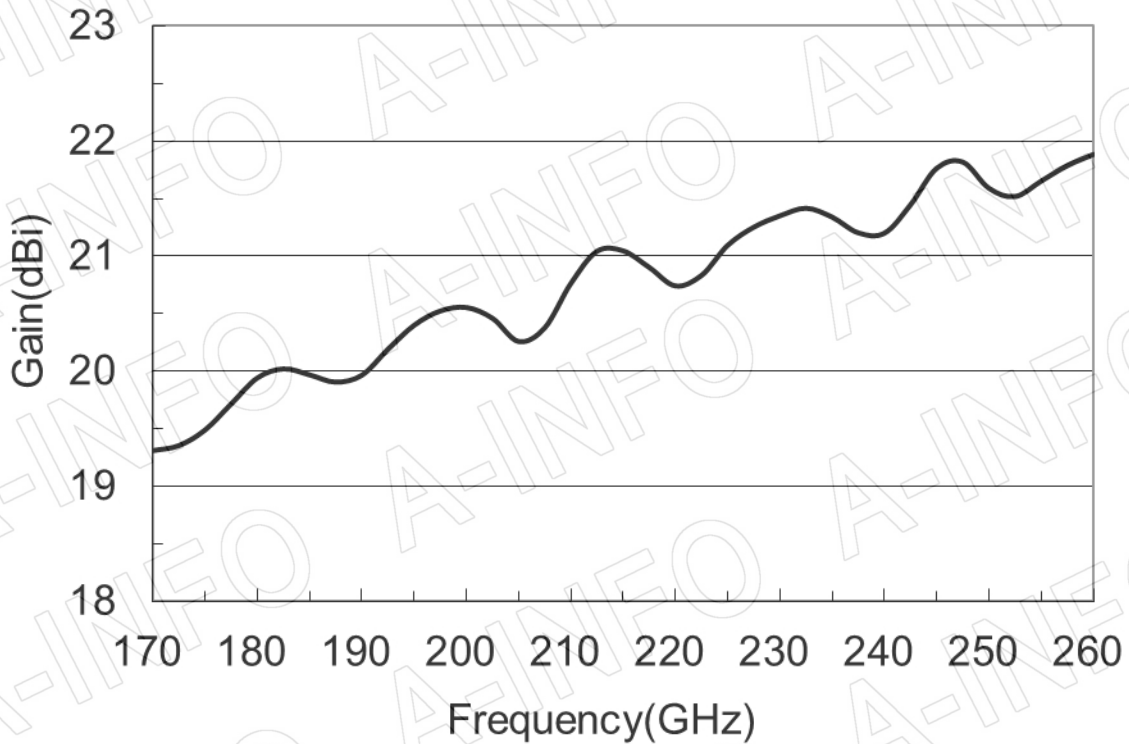
## Flange Drawing (Size: mm)



UG-387/U-M

## Test Results

### 1. Gain & Antenna Factor



## 2. Pattern

